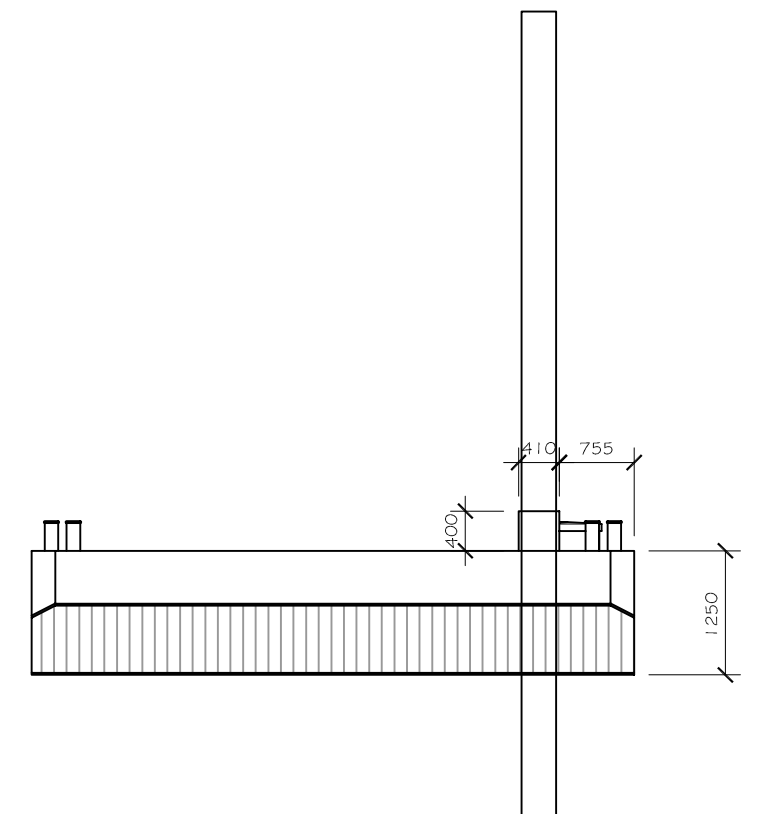
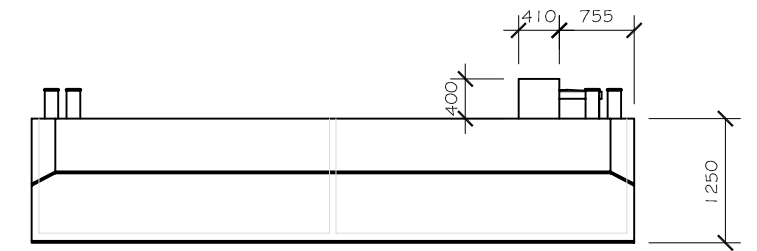
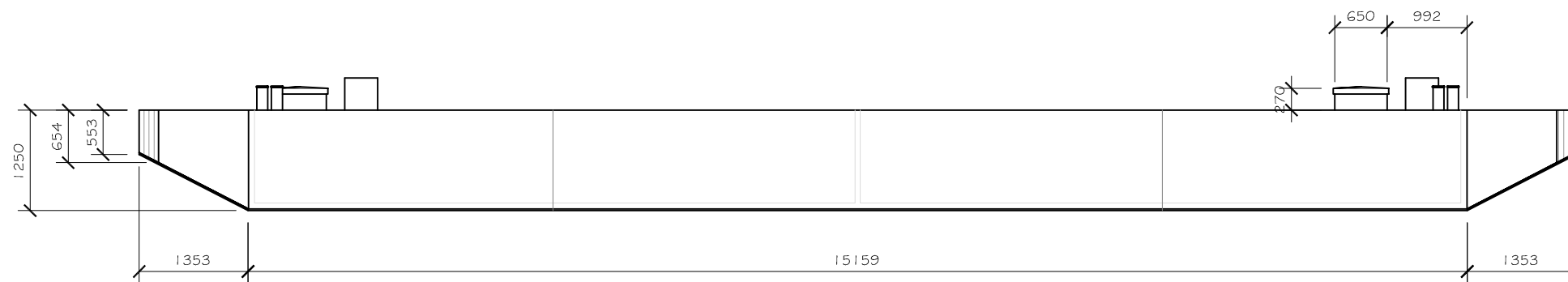


PLAN VIEW



SPECIFICATION

APPLICATION:	Transport of materials/cargoes Suitable for mounting dredging equipment Excavators - craneage ect	
DRAFT:	LIGHT - 0.250m	
	LOADED - 0.900m	
CARRYING CAPACITY:	60 tonnes	Sheltered waters

SPECIFICATION

USE PARAMETERS:	Vessel certified to M.C.A Workboat C.O.P.
ANCILIARY EQUIPMENT:	325mmØ 10m long spud-legs.
STATEMENT:	Flat top swim ended pontoon with cleardeck