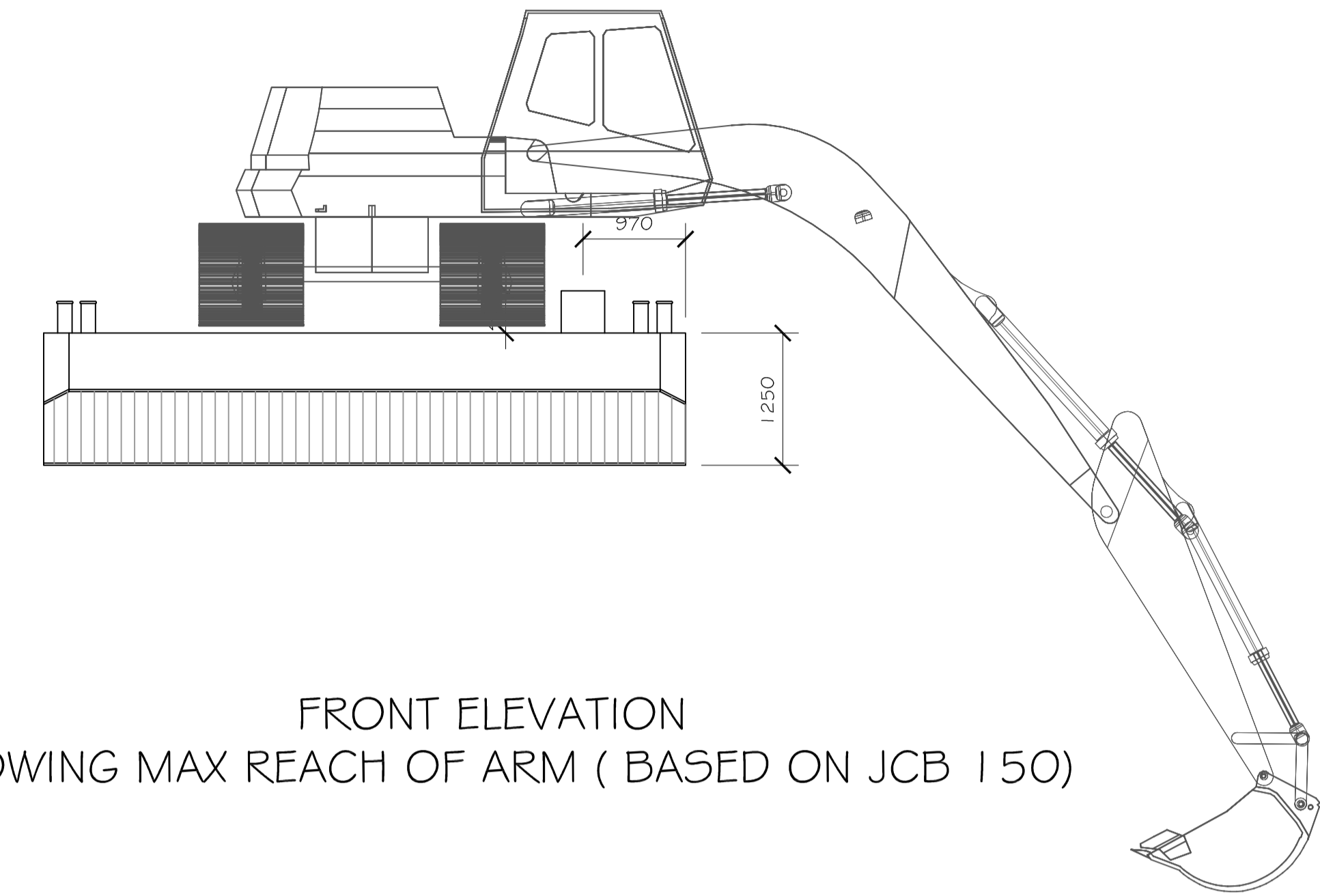
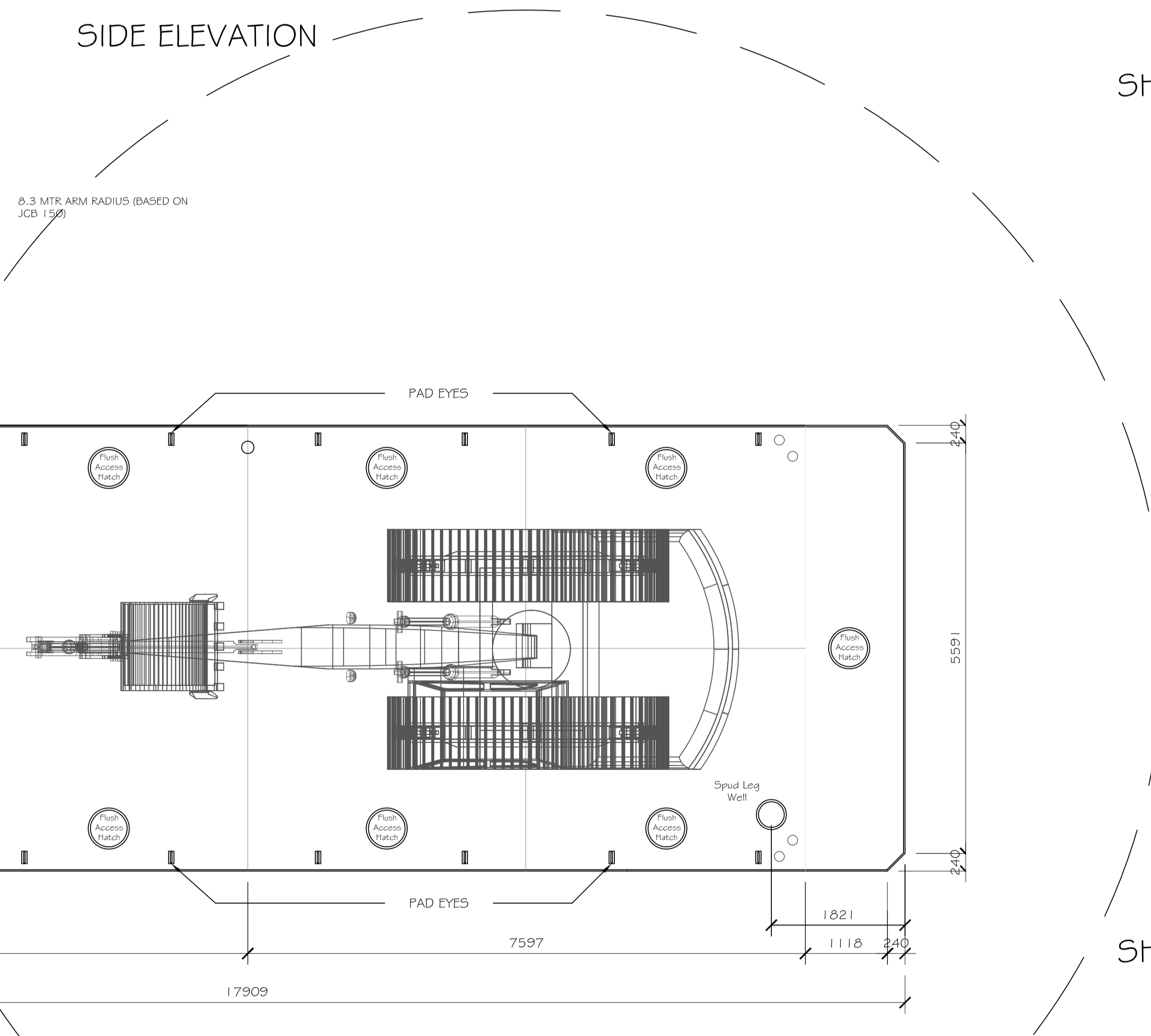


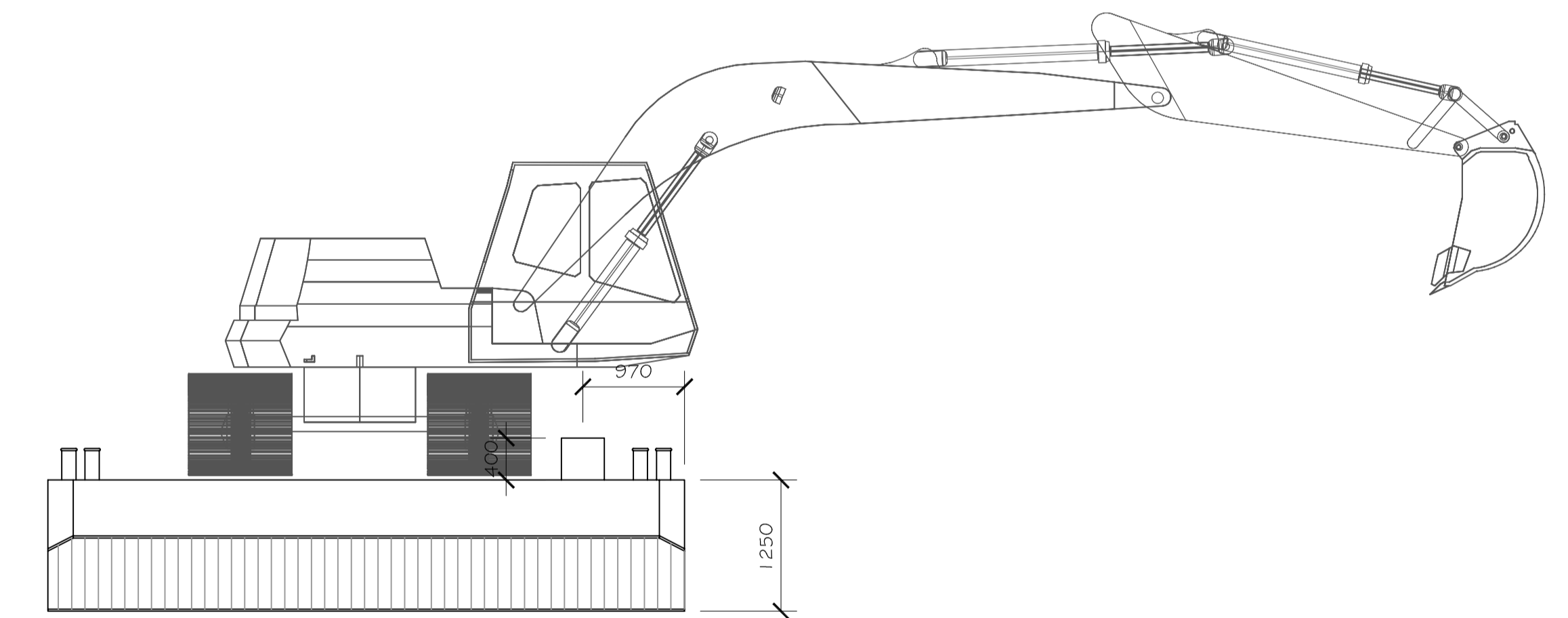
SIDE ELEVATION



FRONT ELEVATION
SHOWING MAX REACH OF ARM (BASED ON JCB 150)



PLAN SHOWING MAX REACH
(BASED ON JCB 150 LOCATED IN POSITION SHOWN)



FRONT ELEVATION
SHOWING MAX REACH OF ARM (BASED ON JCB 150)

SPECIFICATION	
APPLICATION:	FOR DREGING AND ASSOCIATED CONSTRUCTION WORKS/TRANSPORT BARGE.
DRAFT:	LIGHT - 0.35m LOADED - 0.90m
HOLD CAPACITY:	N/A

SPECIFICATION	
USE PARAMETERS:	CODED TO M.C.A. CAT 4
ANCILLARY EQUIPMENT:	ATLAS 3006 HYDRAULIC - 2 X 10m SPUD LEGS CRANE
STATEMENT:	CHOICE AVAILABLE WITH/WITHOUT A CHOICE OF EXCAVATORS INC LONG REACH.